

SCHEDULE OF FLOOR BEAMS

BEAM MKD	BEAM SIZE	BEAM REINFORCEMENT								STIRRUP		REMARKS
		END SUPPT		MID SPAN		CONT. SUPPT		CANT END		UPTO L/3 FROM SUPPT	MID SPAN	
		(T)	(B)	(T)	(B)	(T)	(B)	(T)	(B)	(T)	(B)	
B-1	200x400	2-16T	2-16T	2-16T	2-16T	2-16T	2-16T	-	-	8T 2L @ 100 C/C	8T 2L @ 200 C/C	
B-2	250x400	2-16T +1-16T	2-16T	2-16T	2-16T +1-16T	2-16T +1-16T	2-16T	-	-	8T 2L @ 100 C/C	8T 2L @ 200 C/C	
B-3	250x400	2-16T +1-16T	2-16T	2-16T	2-16T +1-16T	2-16T +1-16T	2-16T	-	-	8T 2L @ 100 C/C	8T 2L @ 200 C/C	
B-4	250x500	2-20T +1-16T	2-20T	2-16T	2-20T +1-16T	2-20T +1-16T	2-20T	-	-	8T 2L @ 100 C/C	8T 2L @ 200 C/C	
B-5	200x400	2-16T	2-16T	2-16T	2-16T	2-16T	2-16T	-	-	8T 2L @ 100 C/C	8T 2L @ 200 C/C	RAKER BEAM

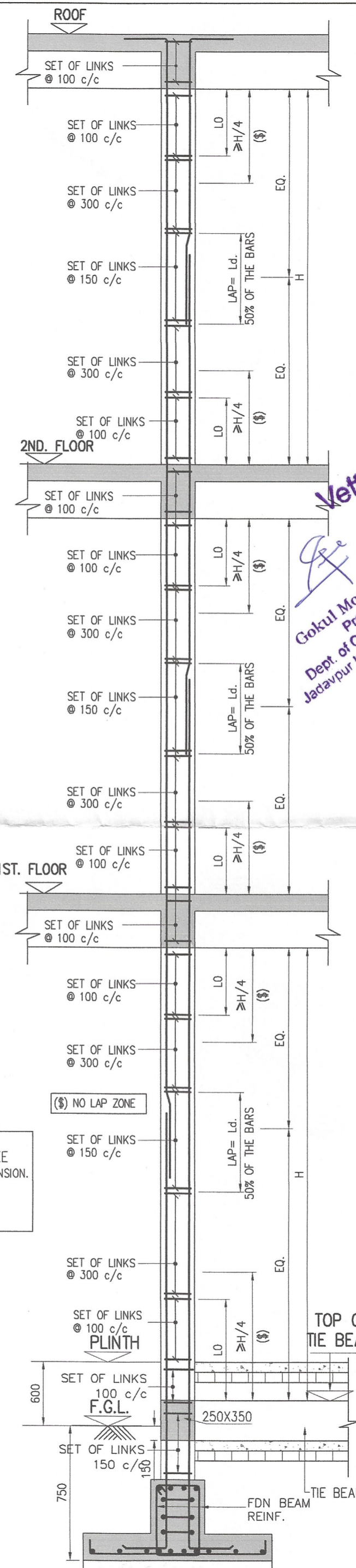
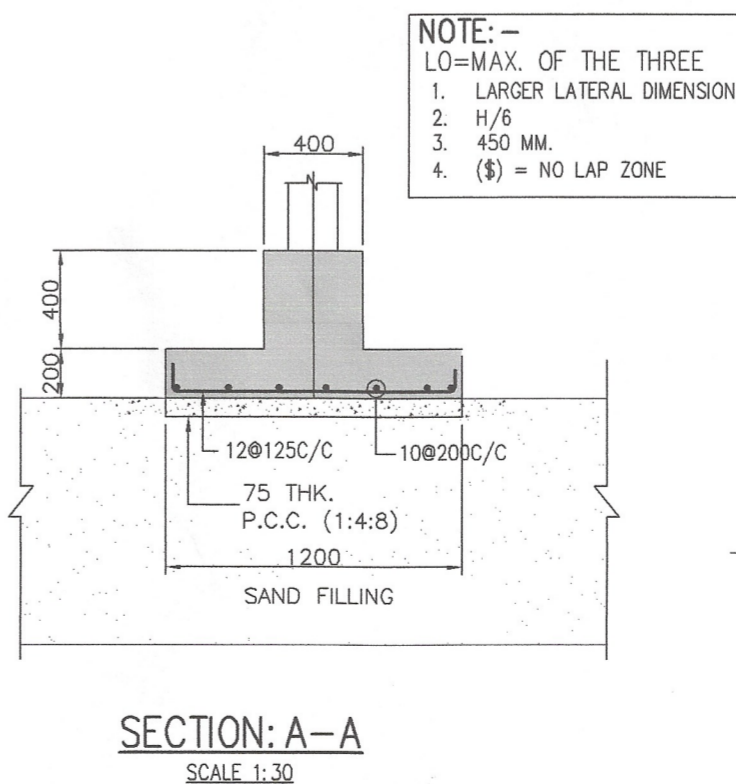
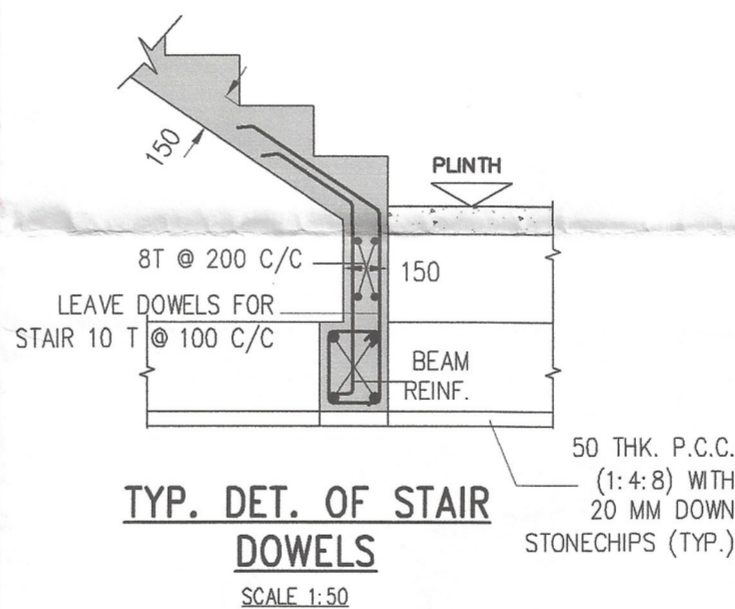
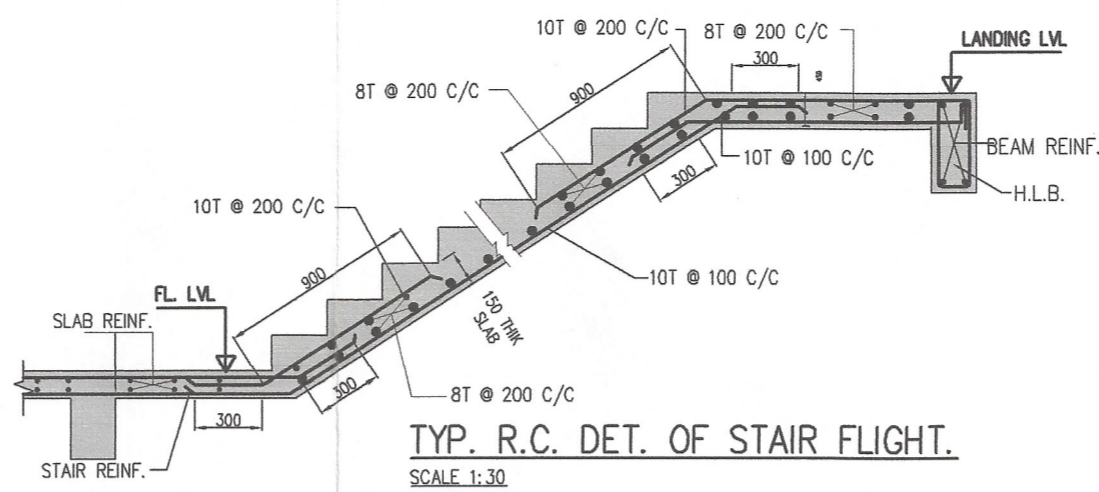
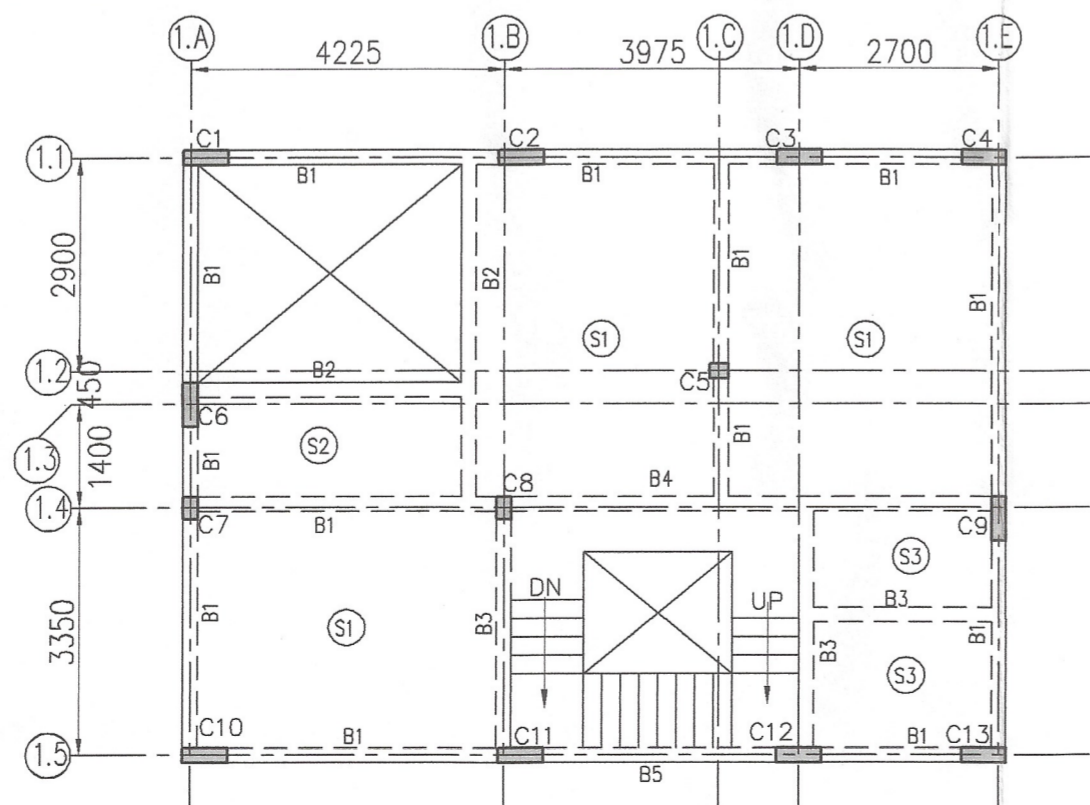
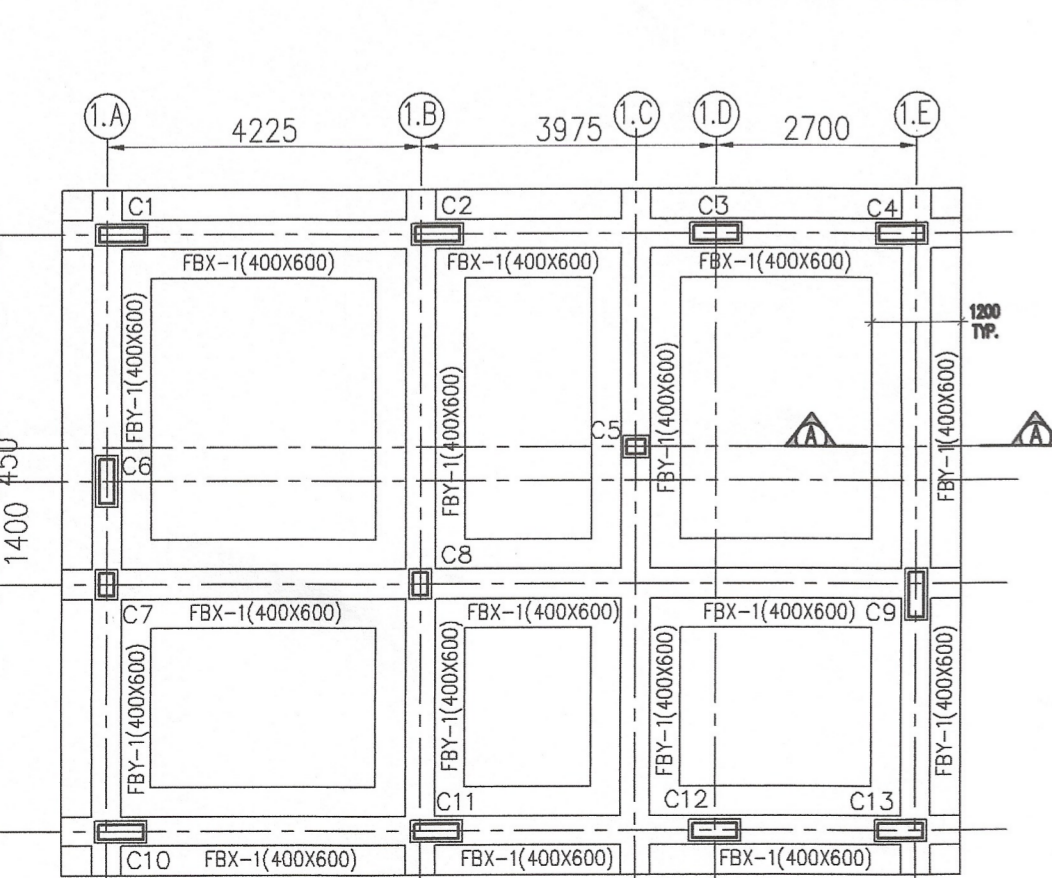
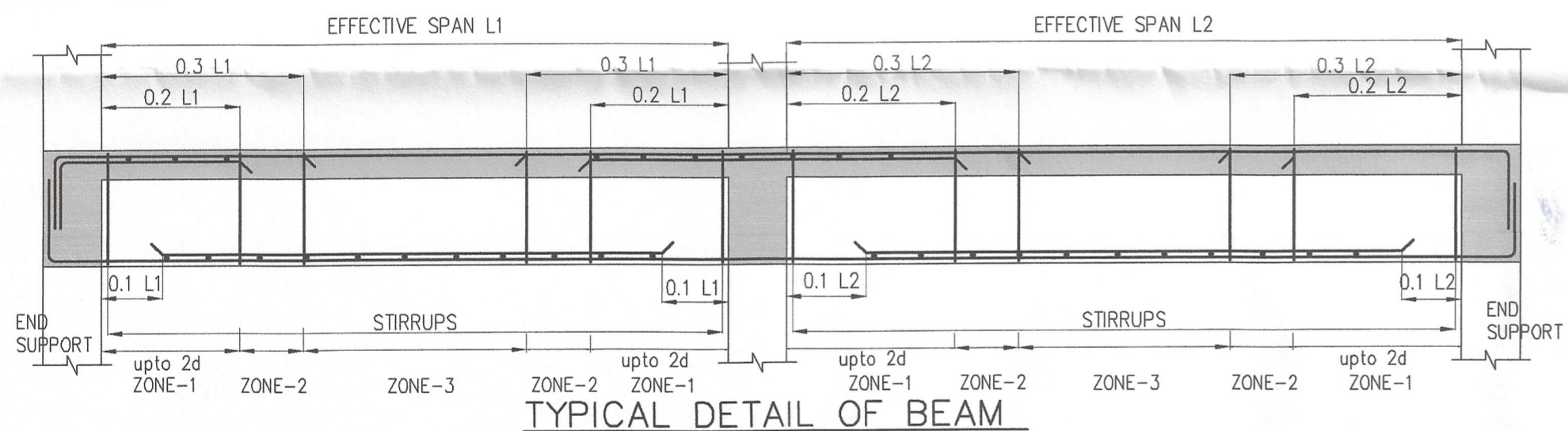
SCHEDULE OF SLAB

SLAB MKD	SLAB THICKNESS	SHORTER DIR.				LONGER DIR.				DISTRIBUTION
		SUPPORT	MID SPAN	SUPPORT	MID SPAN	SUPPORT	MID SPAN	SUPPORT	MID SPAN	
S1	135	8T @ 100 C/C	8T @ 100 C/C	8T @ 100 C/C	8T @ 100 C/C	8T @ 300 C/C				8T @ 300 C/C
S2	125	8T @ 125 C/C	8T @ 125 C/C	8T @ 125 C/C	8T @ 125 C/C	8T @ 300 C/C				8T @ 300 C/C
S3	125	8T @ 150 C/C	8T @ 150 C/C	8T @ 150 C/C	8T @ 150 C/C	8T @ 300 C/C				8T @ 300 C/C

SCHEDULE OF COLUMN

TO FOUNDATION	M-25	M-25	M-25
		4-16T +8-12T	4-16T
LEVEL COL. MKD.	200X600 C1,C2,C3,C4,C6,C9, C10,C11,C12&C13	250X200 C5	300X200 C7&C8

10T FOR CLOSE LINKS & 8T FOR OPEN LINKS



CERTIFIED THAT I HAVE GONE THROUGH THE WEST BENGAL MUNICIPAL BUILDING RULES 2009 AS AMENDED TO TIME AND ALSO UNDER TAKE TO ABIDE BY THOSE RULES DURING AND AFTER CONSTRUCTION OF BUILDING.

DTC PROJECTS PVT. LTD.

Kan Khaitor
Authorised Signatory

SIGNATURE OF OWNER :

THE STRUCTURAL DESIGNS AND DRAWINGS OF BOTH FOUNDATION AND SUPERSTRUCTURE OF THE BUILDING HAS BEEN MADE BY ME CONSIDERING ALL POSSIBLE LOADS INCLUDING THE SEISMIC LOAD AS PER NATIONAL BUILDING CODE OF INDIA AND CERTIFY THAT IT IS SAFE AND STABLE IN ALL RESPECTS.

Ankit Agarwala
ANKIT AGARWALA
B.E. (CIVIL), M.E (STR)
G. ENG. M.I.STRUCT. E. (LONDON)
Membership No.-078392965
KMC EMPANELLED STRUCTURAL ENGINEER,
CLASS-1, E.S.E. 1 / 172

SIGNATURE OF STRUCTURAL ENGINEER :

I CERTIFY THAT THE BUILDING PLAN HAS BEEN DRAWN UP AS PER PROVISION OF W.B. MUNICIPAL (BUILDING) RULE 2009 AS AMENDED FROM TIME TO TIME AND AS PER THE SITE CONDITION WHEREIN THE BUILDING IS BOUNDED BY BOUNDARY WALLS AND PILLARS. THE BUILDING PLAN CONFIRMS WITH THE PLAN. IT IS A BUILDABLE SITE AND NOT A TANK OR FILLED UP TANK.

SIGNATURE OF ARCHITECT
ANIRBAN BHADURI MONDAL
C.O.A. REG. NO. CA/2003/31394

SIGNATURE OF ARCHITECT :

- NOTE:-
- ALL DIMENSIONS ARE IN MILLIMETERS UNLESS OTHERWISE STATED.
 - UNLESS OTHERWISE SPECIFIED ALL REINFORCEMENT SHALL BE TMT BARS OF GRADE FE-500 TO IS-1786-1985 AND ELONGATION SHALL BE MINIMUM 14.5 PERCENT.
 - CLEAR COVER FOR ALL MAIN REINF SHALL BE
A) PILE CAP = 50 B) COLUMN = 40 C) FLOOR BEAM = 25 D) FLOOR SLAB = 25 E) STAIR = 25
 - GRADE OF CONCRETE M25/M30
 - GRADE OF P.C.C.
 - UNDER FOUNDATION = 1:4:8 UNDER FLOOR = 1:3:6
 - THIS DRAWING SHALL BE READ IN CONJUNCTION WITH RELEVANT ARCH DRAWING.
 - ANY DISCREPANCY IN THE STRUCTURAL DRAWINGS WITH ANY OTHER DRAWINGS SHALL BE BROUGHT TO THE NOTICE OF STRUCTURAL CONSULTANT.
 - DETAILS OF PILE CAP TO BE PROVIDED IN THE WORKING DRAWING.
 - FOR DETAIL OF PILE SHAFT REFER DRG. NO. 00-S40-00-01.
 - THE REINFORCEMENT DETAIL MUST CONTAIN THE STIPULATION OF IS 13920:1993
 - CONSTRUCTION SHALL BE DONE AS PER IS:456(2000)

Project:

BUILDING PLAN FOR PROPOSED 78 NOS. OF G+2 STORIED ROW HOUSING COMPLEX AT DAG NO. 808, 811, 812, 814, 815, 816, 817, 825, 839 IN MOUZA - CHAKRAZUMOLLA, BLOCK-BISHNUPUR-II, J.L. NO. -18 UNDER GRAM PANCHAYET - RASHAPUNJO, DIST.-SOUTH 24 PARGANAS

Civil & Structural Consultants:

M.N. CONSULTANTS (Pvt) Ltd.
MNC HOUSE
1516, RAJDANGA MAIN ROAD
KOLKATA - 700 107
Ph.no.-913324418082/913340165700
FAX NO. 913324418083
E-MAIL: mnconpl2008@gmail.com.



Title:
FOUNDATION, FLOOR PLANS WITH SECTIONS & TYP. DETAILS (4BHK BUNGALOW-EAST FACING)

Scale:- AS SHOWN	Date 30.04.2024
Drawn A.N.	Checked by Approved by
<input type="checkbox"/> Design Development	<input type="checkbox"/> Construction Dwg
<input type="checkbox"/> Contract Document	<input type="checkbox"/> Tender Dwg.
File Name	
Job No. 2413	Revision No.
Drawing No. R-S20-00-01	Revision Date

THIS DRAWING IS THE PROPERTY OF M.N. CONSULTANTS PVT. LTD. AND IS MERELY LENT FOR LIMITED USE SUBJECT TO THE CONDITION THAT IT SHALL NOT BE REPRODUCED LENT OR USED IN ANY WAY DETRIMENTAL TO OUR INTEREST.